

Part number

CHO 32.42



Brief description:

hoods for two levers, size "77.62", side entry, Pg42, metal version, IP66

Product description

Version	metal version
Series	hoods for two levers
Product type	with 4 pegs
Variant	side entry
Family	CLASS enclosures
Size	size "77.62"

Technical data

Material	metal
IP degree of protection	IP66 (and IP69K DIN 40050 - 9)
Cable entry	Pg42

Further technical details

Weight	430,00 g
--------	----------

Approvals / Standards

Quality mark	 (type:4/4X/12),  , EAC
Conformity	CQC, CE

General ordering information

EAN13 code	8015747020336
Tariff number	85369095

Packaging Information

Packaging length	200,00 mm
Packaging height	120,00 mm
Packaging width	360,00 mm
Packaging weight	4,10 kg
Packaging volume	8,64 dm ³
Packaging description	Carton box
Packaging quantity	8 Pcs
Packaging EAN code	8015747020343
Sub-packaging weight	0,51 kg
Sub-packaging description	Carton Box
Sub-packaging quantity	1 Pcs
Sub-packaging EAN barcode	8015747020350

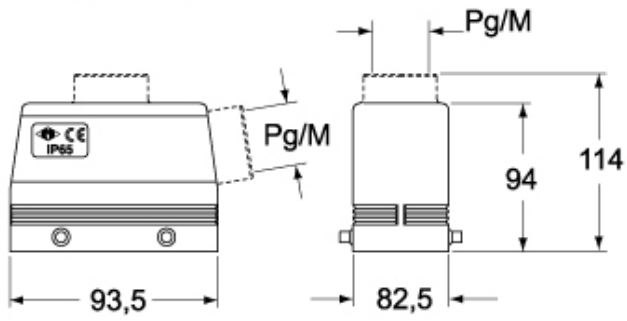
Part number

CHO 32.42



Catalogue drawings

**CHO - CHV MHO/MFO/MFV - MHV
MMV (MMAV)**



CHV G - MHV G - MFV G

